



FlameGuard® QuickTorque™ Gasket Sealed Sprinkler Head Adapter

FGQT-2NP-0116

QuickTorque™

The One Head Adapter
That Has It ALL!



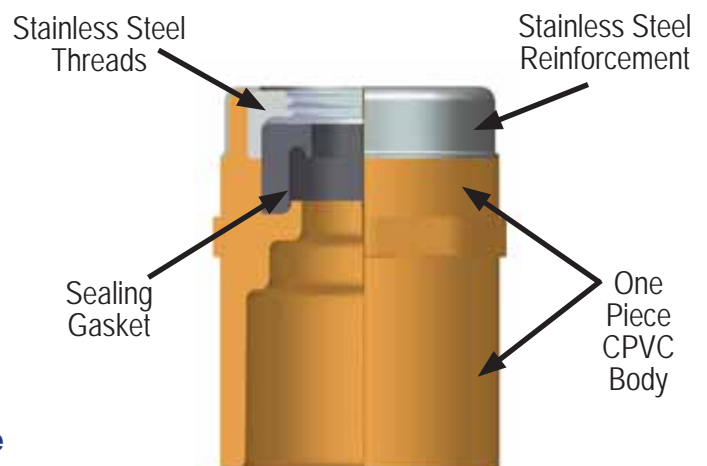
4235-101GMR 3/4"x1/2"
4235-130GMR 1"x1/2"

Spears® FlameGuard® QuickTorque™ CPVC Sprinkler Head Adapter uses a combination of high-strength materials to provide the most reliable, worry-free adapter in the industry:

CPVC Body for Unsurpassed Corrosion Resistance
High grade EPDM Gasket for Reliable Sealing
Stainless Steel Thread & Exterior Reinforcement for Superior Strength

The thread design and gasket seal eliminate radial stress found in tapered thread joint make up, the gasket compresses to allow sprinkler frame alignment without over tightening.

- ✓ **Metal Thread Eliminates Cross Threading**
- ✓ **Requires NO Thread Sealant**
- ✓ **High Grade EPDM Compression Gasket Allows Quick, Easy Head Alignment**
- ✓ **Easiest Installation, Finger Tight Plus 1-Turn Then Align Sprinkler Head!**
- ✓ **NSF® Certified Lead-Free for Use in Potable Water Systems – Suitable for Use in Multi-purpose Systems**



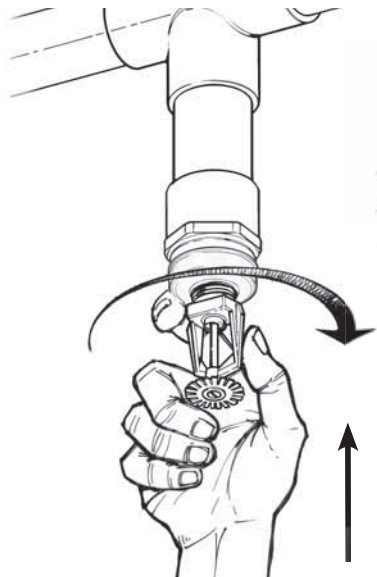
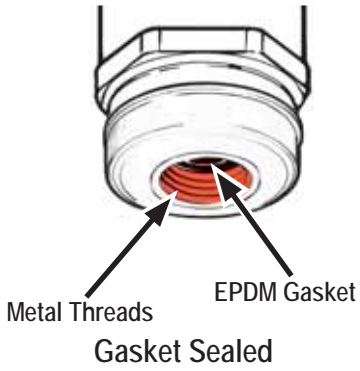
QuickTorque™ Female Sprinkler Head Adapter - Gasket Sealed Metal Thread Style.

Progressive Products From Spears® Innovation & Technology

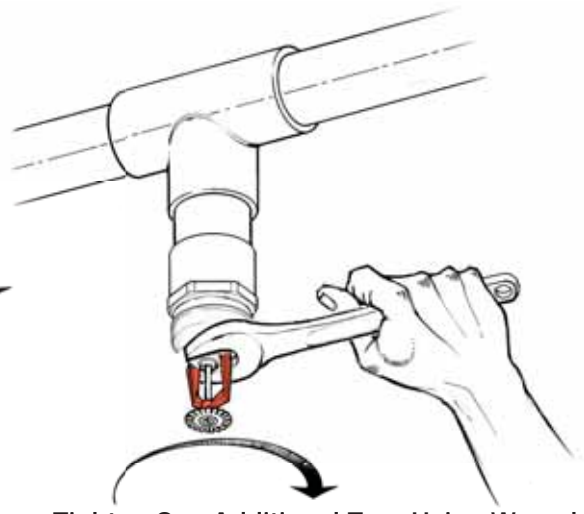
STEP 1



DO NOT USE THREAD SEALANT



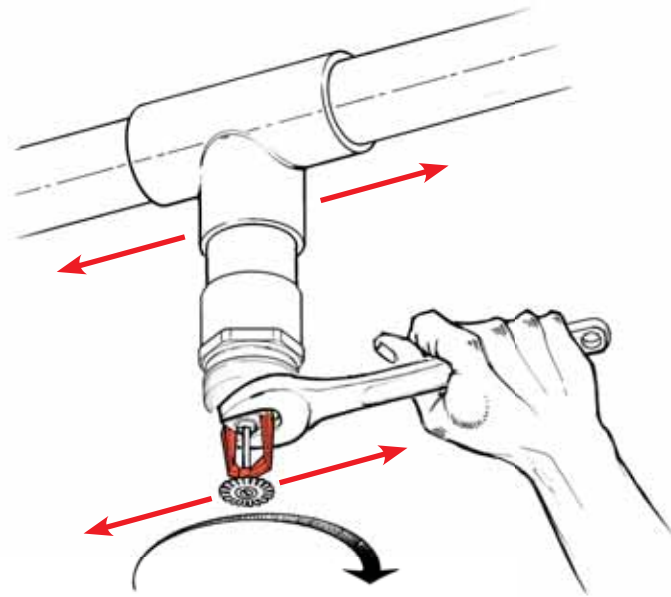
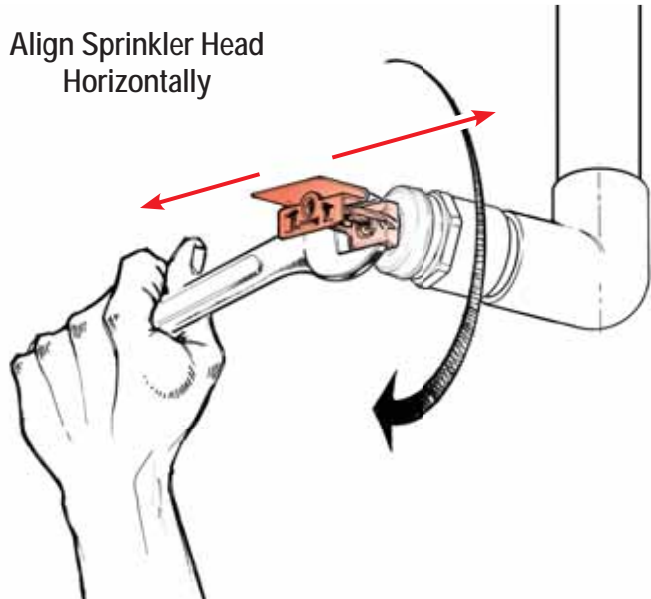
Finger Tighten Only



Tighten One Additional Turn Using Wrench

STEP 2

Align Sprinkler Head Horizontally



Align Sprinkler Head

 **SPEARS® MANUFACTURING COMPANY • CORPORATE OFFICE**
15853 Olden St., Sylmar, CA 91342 • PO Box 9203, Sylmar, CA 91392
(818) 364-1611 • www.spearsmfg.com

